

AUTO-C TUBING CUTTERS



Auto-C Tubing cutters are easy to grip and do not require any swing space. Just turn the cutter in the direction of the arrow and the cut will be complete in seconds. An absolutely indispensable tool for every professional's toolbox! **Wheeler-Rex designs and manufactures the hardest working tube tools. Period.**

FEATURES

- Easy to grip without requiring any swing space
- Simple use, just turn the cutter in the direction of the arrow
- Cut will be complete in seconds
- Spring-loaded cutter wheel self-feeds with consistent pressure
- Cuts Type-K, L and M copper

O.D. CAPACITY

- 5690 – 1/2" (15.9mm)
- 5691 – 3/4" (22.2 mm)
- 5692 – 1" (28.6 mm)

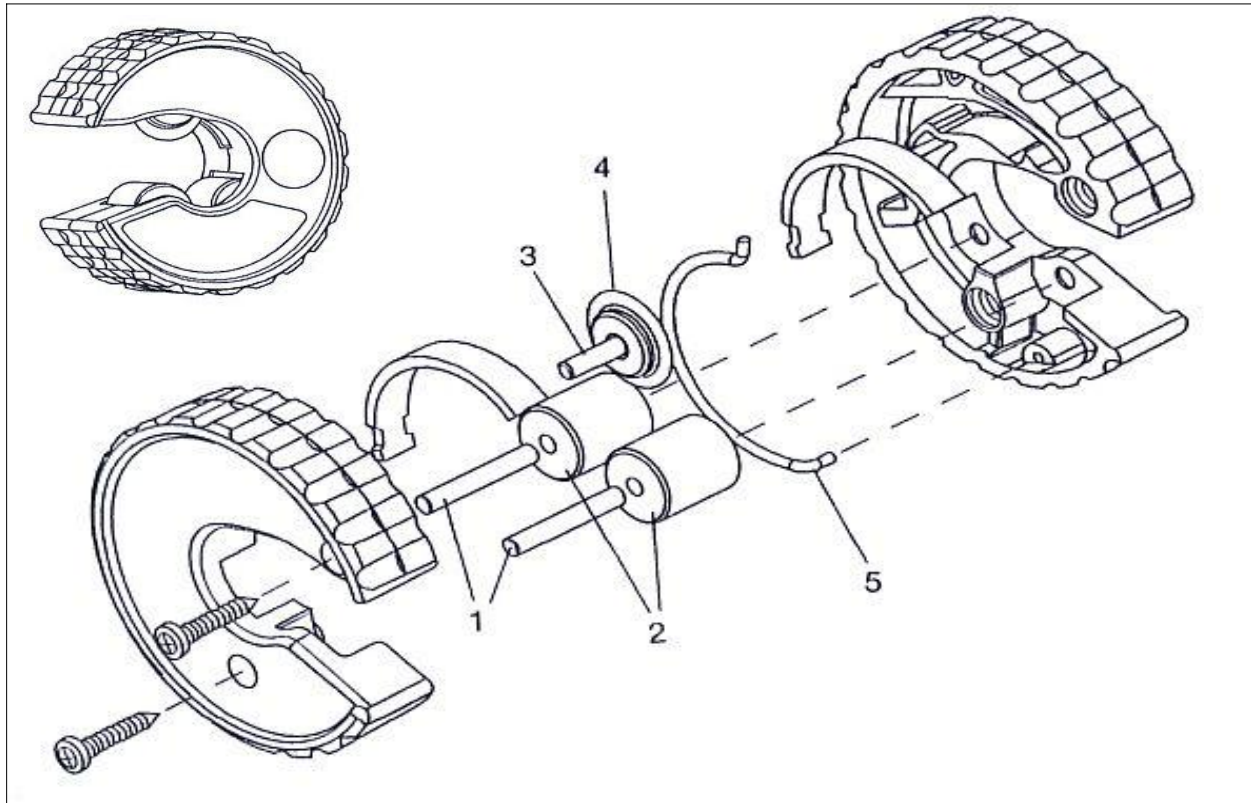
WEIGHT

- 0.5 lbs (0.23 kg)

SPECIFICATIONS

- 5690 Auto-C Cutter 1/2" (15.9mm) - .5 lb. (.23kg)
- 5691 Auto-C Cutter 3/4" (22.2mm) - .5 lb. (.23kg)
- 5692 Auto-C Cutter 1" (28.6mm) - .5 lb. (.23kg)

"C" Cutter Parts Diagram



Item Number	Part Number	Description
5690	1/2" (15.9mm)	
1	277138	Roller Pin
2	277140	Roller
3	277139	Wheel Pin
4	8046	Cutter Wheel
5	277143	Spring
5691	3/4" (22.2mm)	
1	277138	Roller Pin
2	277141	Roller
3	277139	Wheel Pin
4	8046	Cutter Wheel
5	277144	Spring
5692	1" (28.6mm)	
1	277138	Roller Pin
2	277142	Roller
6	277139	Wheel Pin
4	8046	Cutter Wheel
5	277145	Spring